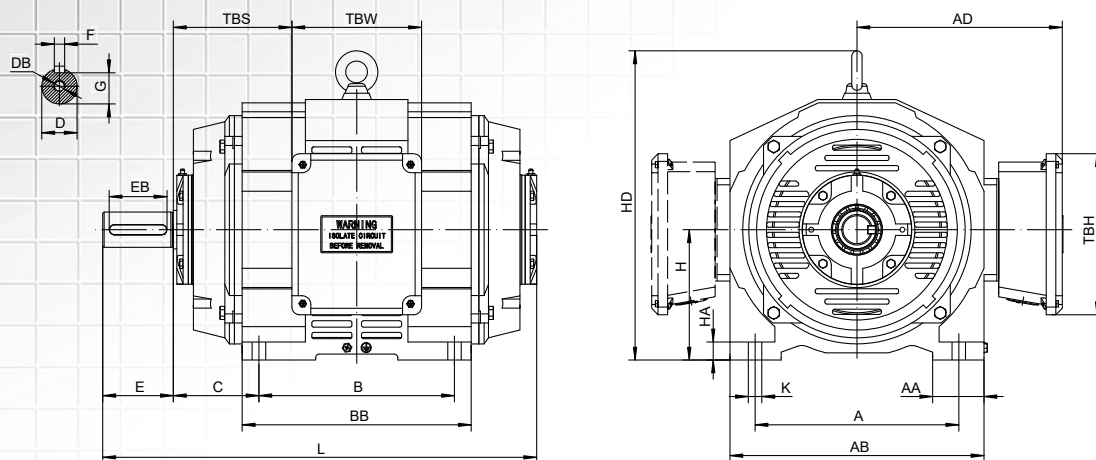


TDC series IEC ODP(IP23) Three Phase Motor



Overall & Installation Dimensions

| Frame | Foot Mounting | | | | Shaft | | | | | General | | | | | | | |
|--------|---------------|-----|---------|---------|-------|------|-----|------|------|---------|-----|------|------|-----|-----|------|------|
| | H | A | B | C | D | E | F | G | K | AA | AB | AD | HD | BB | L | HA | |
| 160M/L | 160 | 254 | 210/254 | 108 | φ 42 | 110 | 12 | 37 | φ 15 | 60 | 316 | 178+ | 381 | 305 | 579 | 21 | |
| 180M/L | 180 | 279 | 241/279 | 121 | φ 48 | 110 | 14 | 42.5 | φ 15 | 80 | 360 | 200+ | 436 | 331 | 625 | 25 | |
| 200L | 200 | 318 | 305 | 133 | φ 55 | 110 | 16 | 49 | φ 19 | 80 | 396 | 218+ | 479 | 357 | 676 | 28 | |
| 225S/M | 2 | 225 | 356 | 311 | 149 | φ 55 | 110 | 16 | 49 | φ 19 | 90 | 458 | 249+ | 545 | 379 | 708 | 28.5 |
| | 4,6,8 | | | | | | | | | | | | | | | φ 60 | |
| 250M | 2 | 250 | 406 | 349 | 168 | φ 60 | 140 | 18 | 53 | φ 24 | 95 | 506 | 273+ | 594 | 431 | 819 | 30 |
| | 4,6,8 | | | | | | | | | | | | | | | | |
| 280S/M | 2 | 280 | 457 | 368/419 | 190 | φ 65 | 140 | 18 | 58 | φ 24 | 110 | 560 | 290+ | 692 | 510 | 927 | 37 |
| | 4,6,8 | | | | | | | | | | | | | | | | |

| Frame | TBS | TBW | TBH | DB | Bearings | | Cable Gland |
|--------|-----|-----|-----|-----|----------|-----|-------------|
| | | | | | DE | NDE | |
| 160M/L | 147 | 176 | 210 | M16 | 6309C3 | | 2-M32 × 1.5 |
| 180M/L | 172 | 176 | 210 | M16 | 6311C3 | | 2-M32 × 1.5 |
| 200L | 185 | 202 | 251 | M20 | 6312C3 | | 2-M40 × 1.5 |
| 225S/M | 204 | 202 | 251 | M20 | 6313C3 | | 2-M50 × 1.5 |
| 250M | 228 | 234 | 278 | M20 | 6314C3 | | 2-M50 × 1.5 |
| 280S/M | 267 | 265 | 300 | M20 | 6316C3 | | 2-M50 × 1.5 |

TDC1 Series IE1 Efficiency Motors Technical Data (IP23) (400V/50Hz)

| Model | Power (KW) | Speed (r/min) | FL Current (A) | Eff (%) | PF (COS Φ) | T _n (N.M) | I _{st} /I _n (Times) | T _{st} /T _n (Times) | T _{min} /T _n (Times) | T _{max} /T _n (Times) | Moment of inertia (kg·m ²) |
|--|------------|---------------|----------------|---------|------------------|----------------------|---|---|--|--|--|
| 2 Pole 3000 rpm Synchronous Speed 50Hz | | | | | | | | | | | |
| TDC1 160M1-2 | 11 | 2910 | 20.83 | 87.6 | 0.87 | 36.10 | 8.5 | 2.0 | 1.2 | 2.3 | 0.033200 |
| TDC1 160M2-2 | 15 | 2910 | 28.06 | 88.7 | 0.87 | 49.23 | 8.5 | 2.0 | 1.2 | 2.3 | 0.043072 |
| TDC1 160L-2 | 18.5 | 2910 | 33.60 | 89.3 | 0.89 | 60.71 | 8.5 | 2.0 | 1.1 | 2.3 | 0.051488 |
| TDC1 180M-2 | 22 | 2920 | 39.7 | 89.9 | 0.89 | 71.95 | 8.5 | 2.0 | 1.1 | 2.3 | 0.064880 |
| TDC1 200L1-2 | 30 | 2920 | 53.6 | 90.7 | 0.89 | 98.1 | 8 | 2.0 | 1.1 | 2.3 | 0.121104 |
| TDC1 200L2-2 | 37 | 2920 | 65.8 | 91.2 | 0.89 | 121.0 | 8 | 2.0 | 1.1 | 2.3 | 0.138808 |
| TDC1 225M-2 | 45 | 2930 | 78.7 | 91.7 | 0.90 | 146.7 | 8 | 2.0 | 1.0 | 2.3 | 0.193424 |
| TDC1 250M-2 | 55 | 2930 | 97.9 | 92.1 | 0.88 | 179.3 | 8 | 2.0 | 1.0 | 2.3 | 0.311224 |
| TDC1 280S-2 | 75 | 2930 | 131.2 | 92.7 | 0.89 | 244.5 | 7.5 | 2.0 | 0.9 | 2.3 | 0.558968 |
| TDC1 280M-2 | 90 | 2930 | 155.2 | 93 | 0.90 | 293.3 | 7.5 | 2.0 | 0.9 | 2.3 | 0.636312 |
| 4 Pole 1500 rpm Synchronous Speed 50Hz | | | | | | | | | | | |
| TDC1 160M-4 | 11 | 1440 | 21.32 | 87.6 | 0.85 | 72.95 | 8 | 2.2 | 1.4 | 2.3 | 0.061272 |
| TDC1 160L-4 | 15 | 1450 | 28.06 | 88.7 | 0.87 | 98.79 | 8 | 2.2 | 1.4 | 2.3 | 0.083032 |
| TDC1 180M-4 | 18.5 | 1450 | 33.98 | 89.3 | 0.88 | 121.8 | 8 | 2.2 | 1.2 | 2.3 | 0.112672 |
| TDC1 180L-4 | 22 | 1460 | 40.6 | 89.9 | 0.87 | 143.9 | 8 | 2.2 | 1.2 | 2.3 | 0.132328 |
| TDC1 200L-4 | 30 | 1460 | 53.6 | 90.7 | 0.89 | 196.2 | 8 | 2.2 | 1.2 | 2.3 | 0.212752 |
| TDC1 225S-4 | 37 | 1470 | 65.8 | 91.2 | 0.89 | 240.4 | 8 | 2.0 | 1.2 | 2.3 | 0.403512 |
| TDC1 225M-4 | 45 | 1480 | 80.5 | 91.7 | 0.88 | 290.4 | 8 | 2.0 | 1.1 | 2.3 | 0.463272 |
| TDC1 250M-4 | 55 | 1480 | 96.8 | 92.1 | 0.89 | 354.9 | 8 | 2.0 | 1.1 | 2.3 | 0.552784 |
| TDC1 280S-4 | 75 | 1480 | 132.7 | 92.7 | 0.88 | 484.0 | 7.5 | 2.0 | 1.0 | 2.2 | 1.130280 |
| TDC1 280M-4 | 90 | 1480 | 155.2 | 93 | 0.90 | 580.7 | 7.5 | 2.0 | 1.0 | 2.2 | 1.396856 |
| 6 Pole 1000 rpm Synchronous Speed 50Hz | | | | | | | | | | | |
| TDC1 160M-6 | 7.5 | 960 | 18.0 | 84.7 | 0.71 | 74.6 | 8 | 2.0 | 1.3 | 2.1 | 0.069808 |
| TDC1 160L-6 | 11 | 960 | 24.5 | 86.4 | 0.75 | 109.4 | 8 | 2.0 | 1.2 | 2.1 | 0.087704 |
| TDC1 180L-6 | 15 | 960 | 31.7 | 87.7 | 0.78 | 149.2 | 8 | 2.0 | 1.2 | 2.1 | 0.199488 |
| TDC1 200L1-6 | 18.5 | 970 | 37.7 | 88.6 | 0.80 | 182.1 | 8 | 2.0 | 1.2 | 2.1 | 0.289176 |
| TDC1 200L2-6 | 22 | 970 | 43.4 | 89.2 | 0.82 | 216.6 | 8 | 2.0 | 12.0 | 2.1 | 0.315560 |
| TDC1 225M-6 | 30 | 975 | 56.5 | 90.2 | 0.85 | 293.8 | 7.5 | 2.0 | 1.2 | 2.1 | 0.444928 |
| TDC1 250M-6 | 37 | 975 | 70.0 | 90.8 | 0.84 | 362.4 | 7.5 | 2.0 | 1.2 | 2.1 | 0.771816 |
| TDC1 280S-6 | 45 | 980 | 83.6 | 91.4 | 0.85 | 438.5 | 7 | 2.0 | 1.1 | 2.0 | 1.344928 |
| TDC1 280M1-6 | 55 | 980 | 100.4 | 91.9 | 0.86 | 536.0 | 7 | 2.0 | 1.1 | 2.0 | 1.599424 |
| 8 Pole 750 rpm Synchronous Speed 50Hz | | | | | | | | | | | |
| TDC1 160M1-8 | 4 | 730 | 9.9 | 80 | 0.73 | 52.3 | 7 | 1.8 | 1.2 | 2.1 | 0.060960 |
| TDC1 160M2-8 | 5.5 | 720 | 12.8 | 83.5 | 0.74 | 73.0 | 7 | 1.8 | 1.2 | 2.1 | 0.072760 |
| TDC1 160L-8 | 7.5 | 720 | 17.0 | 85 | 0.75 | 99.5 | 7 | 1.8 | 1.2 | 2.1 | 0.084750 |
| TDC1 180L-8 | 11 | 730 | 23.7 | 88 | 0.76 | 143.9 | 7 | 1.8 | 1.1 | 2.1 | 0.205561 |
| TDC1 200L-8 | 15 | 730 | 31.6 | 89 | 0.77 | 196.2 | 7 | 1.8 | 1.1 | 2.1 | 0.289175 |
| TDC1 225S-8 | 18.5 | 730 | 39.0 | 90 | 0.76 | 242.0 | 7 | 1.8 | 1.1 | 2.1 | 0.392622 |
| TDC1 225M-8 | 22 | 740 | 45.0 | 90.5 | 0.78 | 283.9 | 7 | 1.8 | 1.1 | 2.1 | 0.471080 |
| TDC1 250M-8 | 30 | 740 | 60.2 | 91 | 0.79 | 387.2 | 7 | 1.8 | 1.1 | 2.1 | 0.816068 |
| TDC1 280S-8 | 37 | 740 | 73.9 | 91.5 | 0.79 | 477.5 | 7 | 1.8 | 1.1 | 2.1 | 1.511832 |
| TDC1 280M-8 | 45 | 740 | 89.4 | 92 | 0.79 | 580.7 | 7 | 1.8 | 0.9 | 2.1 | 1.808060 |

TDC2 Series IE2 Efficiency Motors Technical Data (IP23) (400V/50Hz)

| Model | Power (KW) | Speed (r/min) | FL Current (A) | Eff (%) | PF (COS Φ) | Tn (N.M) | I _{st} /I _n (Times) | T _{st} /T _n (Times) | T _{min} /T _n (Times) | T _{max} /T _n (Times) | Moment of inertia (kg·m ²) |
|--|------------|---------------|----------------|---------|------------------|----------|---|---|--|--|--|
| 2 Pole 3000 rpm Synchronous Speed 50Hz | | | | | | | | | | | |
| TDC2 160M1-2 | 11 | 2930 | 19.73 | 89.4 | 0.90 | 35.85 | 8.5 | 2.0 | 1.2 | 2.3 | 0.036488 |
| TDC2 160M2-2 | 15 | 2940 | 26.64 | 90.3 | 0.90 | 48.72 | 8.5 | 2.0 | 1.2 | 2.3 | 0.049648 |
| TDC2 160L-2 | 18.5 | 2940 | 32.64 | 90.9 | 0.90 | 60.09 | 8.5 | 2.0 | 1.1 | 2.3 | 0.060224 |
| TDC2 180M-2 | 22 | 2945 | 38.6 | 91.3 | 0.90 | 71.34 | 8.5 | 2.0 | 1.1 | 2.3 | 0.064880 |
| TDC2 200L1-2 | 30 | 2945 | 52.3 | 92 | 0.90 | 97.3 | 8 | 2.0 | 1.1 | 2.3 | 0.114024 |
| TDC2 200L2-2 | 37 | 2945 | 64.2 | 92.5 | 0.90 | 120.0 | 8 | 2.0 | 1.1 | 2.3 | 0.131728 |
| TDC2 225M-2 | 45 | 2950 | 77.7 | 92.9 | 0.90 | 145.7 | 8 | 2.0 | 1.0 | 2.3 | 0.199248 |
| TDC2 250M-2 | 55 | 2960 | 94.6 | 93.2 | 0.90 | 177.4 | 8 | 2.0 | 1.0 | 2.3 | 0.346624 |
| TDC2 280S-2 | 75 | 2960 | 128.2 | 93.8 | 0.90 | 242.0 | 7.5 | 2.0 | 0.9 | 2.3 | 0.633488 |
| TDC2 280M-2 | 90 | 2960 | 153.4 | 94.1 | 0.90 | 290.4 | 7.5 | 2.0 | 0.9 | 2.3 | 0.725728 |
| 4 Pole 1500 rpm Synchronous Speed 50Hz | | | | | | | | | | | |
| TDC2 160M-4 | 11 | 1440 | 21.30 | 89.8 | 0.83 | 72.95 | 8 | 2.2 | 1.4 | 2.3 | 0.069360 |
| TDC2 160L-4 | 15 | 1450 | 27.47 | 90.6 | 0.87 | 98.79 | 8 | 2.2 | 1.4 | 2.3 | 0.090176 |
| TDC2 180M-4 | 18.5 | 1450 | 34.05 | 91.2 | 0.86 | 121.8 | 8 | 2.2 | 1.2 | 2.3 | 0.112672 |
| TDC2 180L-4 | 22 | 1460 | 39.4 | 91.6 | 0.88 | 143.9 | 8 | 2.2 | 1.2 | 2.3 | 0.132328 |
| TDC2 200L-4 | 30 | 1460 | 53.3 | 92.3 | 0.88 | 196.2 | 8 | 2.2 | 1.2 | 2.3 | 0.218448 |
| TDC2 225S-4 | 37 | 1470 | 65.5 | 92.7 | 0.88 | 240.4 | 8 | 2.0 | 1.2 | 2.3 | 0.403512 |
| TDC2 225M-4 | 45 | 1480 | 78.4 | 93.1 | 0.89 | 290.4 | 8 | 2.0 | 1.1 | 2.3 | 0.475112 |
| TDC2 250M-4 | 55 | 1480 | 98.7 | 93.5 | 0.86 | 354.9 | 8 | 2.0 | 1.1 | 2.3 | 0.567600 |
| TDC2 280S-4 | 75 | 1480 | 128.0 | 94 | 0.90 | 484.0 | 7.5 | 2.0 | 1.0 | 2.2 | 1.276080 |
| TDC2 280M-4 | 90 | 1480 | 153.2 | 94.2 | 0.90 | 580.7 | 7.5 | 2.0 | 1.0 | 2.2 | 1.513496 |
| 6 Pole 1000 rpm Synchronous Speed 50Hz | | | | | | | | | | | |
| TDC2 160M-6 | 7.5 | 960 | 17.5 | 87.2 | 0.71 | 74.6 | 8 | 2.0 | 1.3 | 2.1 | 0.069808 |
| TDC2 160L-6 | 11 | 960 | 23.9 | 88.7 | 0.75 | 109.4 | 8 | 2.0 | 1.2 | 2.1 | 0.096552 |
| TDC2 180L-6 | 15 | 960 | 30.9 | 89.7 | 0.78 | 149.2 | 8 | 2.0 | 1.2 | 2.1 | 0.205560 |
| TDC2 200L1-6 | 18.5 | 970 | 36.9 | 90.4 | 0.80 | 182.1 | 8 | 2.0 | 1.2 | 2.1 | 0.289176 |
| TDC2 200L2-6 | 22 | 970 | 42.6 | 90.9 | 0.82 | 216.6 | 8 | 2.0 | 12.0 | 2.1 | 0.341936 |
| TDC2 225M-6 | 30 | 975 | 55.6 | 91.7 | 0.85 | 293.8 | 7.5 | 2.0 | 1.2 | 2.1 | 0.536464 |
| TDC2 250M-6 | 37 | 975 | 69.0 | 92.2 | 0.84 | 362.4 | 7.5 | 2.0 | 1.2 | 2.1 | 0.793944 |
| TDC2 280S-6 | 45 | 980 | 82.4 | 92.7 | 0.85 | 438.5 | 7 | 2.0 | 1.1 | 2.0 | 1.428384 |
| TDC2 280M1-6 | 55 | 980 | 99.2 | 93.1 | 0.86 | 536.0 | 7 | 2.0 | 1.1 | 2.0 | 1.766336 |

TDC3 Series IE3 Efficiency Motors Technical Data (IP23) (400V/50Hz)

| Model | Power (KW) | Speed (r/min) | FL Current (A) | Eff (%) | PF (COS Φ) | Tn (N.M) | I _{st} /I _n (Times) | T _{st} /T _n (Times) | T _{min} /T _n (Times) | T _{max} /T _n (Times) | Moment of inertia (kg·m ²) |
|--|------------|---------------|----------------|---------|------------------|----------|---|---|--|--|--|
| 2 Pole 3000 rpm Synchronous Speed 50Hz | | | | | | | | | | | |
| TDC3 160M1-2 | 11 | 2930 | 19.34 | 91.2 | 0.90 | 35.85 | 8.5 | 2.0 | 1.2 | 2.3 | 0.041424 |
| TDC3 160M2-2 | 15 | 2940 | 26.18 | 91.9 | 0.90 | 48.72 | 8.5 | 2.0 | 1.2 | 2.3 | 0.049648 |
| TDC3 160L-2 | 18.5 | 2940 | 31.76 | 92.4 | 0.91 | 60.09 | 8.5 | 2.0 | 1.1 | 2.3 | 0.061352 |
| TDC3 180M-2 | 22 | 2945 | 38.5 | 92.7 | 0.89 | 71.34 | 8.5 | 2.0 | 1.1 | 2.3 | 0.077320 |
| TDC3 200L1-2 | 30 | 2945 | 52.1 | 93.3 | 0.89 | 97.3 | 8 | 2.0 | 1.1 | 2.3 | 0.138808 |
| TDC3 200L2-2 | 37 | 2945 | 64.0 | 93.7 | 0.89 | 120.0 | 8 | 2.0 | 1.1 | 2.3 | 0.160064 |
| TDC3 225M-2 | 45 | 2950 | 75.9 | 94 | 0.91 | 145.7 | 8 | 2.0 | 1.0 | 2.3 | 0.274928 |
| TDC3 250M-2 | 55 | 2960 | 93.5 | 94.3 | 0.90 | 177.4 | 8 | 2.0 | 1.0 | 2.3 | 0.355472 |
| TDC3 280S-2 | 75 | 2960 | 125.6 | 94.7 | 0.91 | 242.0 | 7.5 | 2.0 | 0.9 | 2.3 | 0.663288 |
| TDC3 280M-2 | 90 | 2960 | 150.3 | 95 | 0.91 | 290.4 | 7.5 | 2.0 | 0.9 | 2.3 | 0.785344 |
| 4 Pole 1500 rpm Synchronous Speed 50Hz | | | | | | | | | | | |
| TDC3 160M-4 | 11 | 1450 | 20.68 | 91.4 | 0.84 | 72.45 | 8 | 2.2 | 1.4 | 2.3 | 0.082840 |
| TDC3 160L-4 | 15 | 1450 | 27.33 | 92.1 | 0.86 | 98.8 | 8 | 2.2 | 1.4 | 2.3 | 0.110000 |
| TDC3 180M-4 | 18.5 | 1460 | 33.5 | 92.6 | 0.86 | 121.0 | 8 | 2.2 | 1.2 | 2.3 | 0.124240 |
| TDC3 180L-4 | 22 | 1460 | 39.2 | 93 | 0.87 | 143.9 | 8 | 2.2 | 1.2 | 2.3 | 0.155464 |
| TDC3 200L-4 | 30 | 1470 | 57.1 | 93.6 | 0.81 | 194.9 | 8 | 2.2 | 1.2 | 2.3 | 0.235528 |
| TDC3 225S-4 | 37 | 1470 | 65.4 | 93.9 | 0.87 | 240.4 | 8 | 2.0 | 1.2 | 2.3 | 0.462704 |
| TDC3 225M-4 | 45 | 1470 | 79.3 | 94.2 | 0.87 | 292.3 | 8 | 2.0 | 1.1 | 2.3 | 0.522472 |
| TDC3 250M-4 | 55 | 1470 | 95.4 | 94.6 | 0.88 | 357.3 | 8 | 2.0 | 1.1 | 2.3 | 0.612032 |
| TDC3 280S-4 | 75 | 1480 | 131.0 | 95 | 0.87 | 484.0 | 7.5 | 2.0 | 1.0 | 2.2 | 1.596824 |
| TDC3 280M-4 | 90 | 1480 | 160.5 | 95.2 | 0.85 | 580.7 | 7.5 | 2.0 | 1.0 | 2.2 | 1.746760 |
| 6 Pole 1000 rpm Synchronous Speed 50Hz | | | | | | | | | | | |
| TDC3 160M-6 | 7.5 | 960 | 16.2 | 89.1 | 0.75 | 74.6 | 8 | 2.0 | 1.3 | 2.1 | 0.069808 |
| TDC3 160L-6 | 11 | 960 | 23.1 | 90.3 | 0.76 | 109.4 | 8 | 2.0 | 1.2 | 2.1 | 0.108352 |
| TDC3 180L-6 | 15 | 960 | 30.1 | 91.2 | 0.79 | 149.2 | 8 | 2.0 | 1.2 | 2.1 | 0.223784 |
| TDC3 200L1-6 | 18.5 | 970 | 36.4 | 91.7 | 0.80 | 182.1 | 8 | 2.0 | 1.2 | 2.1 | 0.306760 |
| TDC3 200L2-6 | 22 | 970 | 42.5 | 92.2 | 0.81 | 216.6 | 8 | 2.0 | 12.0 | 2.1 | 0.359528 |
| TDC3 225M-6 | 30 | 975 | 53.0 | 92.9 | 0.88 | 293.8 | 7.5 | 2.0 | 1.2 | 2.1 | 0.536464 |
| TDC3 250M-6 | 37 | 975 | 67.3 | 93.3 | 0.85 | 362.4 | 7.5 | 2.0 | 1.2 | 2.1 | 0.793944 |
| TDC3 280S-6 | 45 | 980 | 83.5 | 93.7 | 0.83 | 438.5 | 7 | 2.0 | 1.1 | 2.0 | 1.762192 |
| TDC3 280M-6 | 55 | 980 | 99.3 | 94.1 | 0.85 | 536.0 | 7 | 2.0 | 1.1 | 2.0 | 2.058416 |